

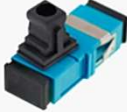










SC simplex Adapter

Features:

- Selected ceramic sleeve
- Low insertion loss
- High repeatability and high stability
- Multiple styles, One Piece, PC/APC and Various color available
- IEC 61754-4 and GR-326-Core complaint
- RoHS/REACH and UL94-V0 inflammability complaint

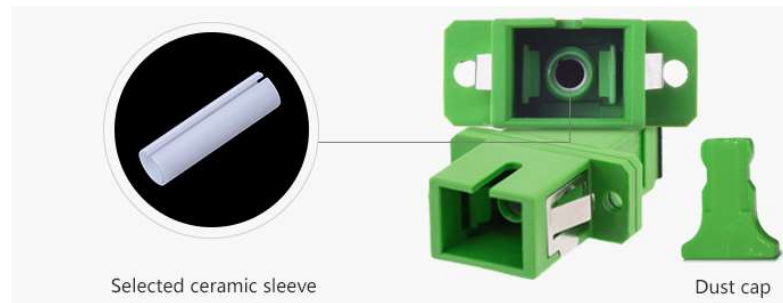


Forming method		Flange		Dust cap		Color	
	Welded type		With		Notched flat cap		Green
	One piece		Without		T-shaped gourd cap		Violet
							Blue
							Beige
							Rose red

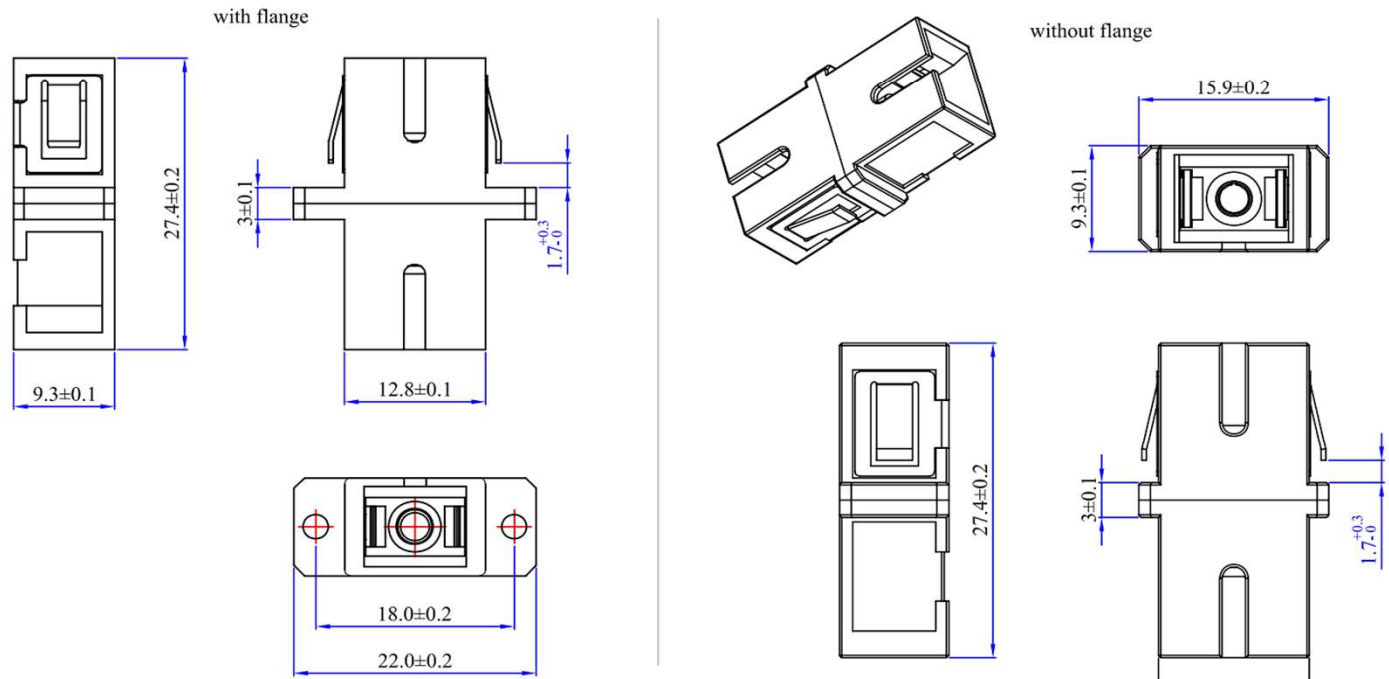
SC simplex Adapter

Specification:

Items	Insertion Loss	Mechanical resistance	Repeatability	Operating Temperature
SM/PC	$\leq 0.2\text{dB}$	200-600g	$< 0.2\text{dB}(500\text{times})$	$-40^{\circ}\text{C} \sim +85^{\circ}\text{C}$
SM/APC	$\leq 0.2\text{dB}$	200-600g	$< 0.2\text{dB}(500\text{times})$	$-40^{\circ}\text{C} \sim +85^{\circ}\text{C}$
MM/PC	$\leq 0.2\text{dB}$	200-600g	$< 0.2\text{dB}(500\text{times})$	$-40^{\circ}\text{C} \sim +85^{\circ}\text{C}$

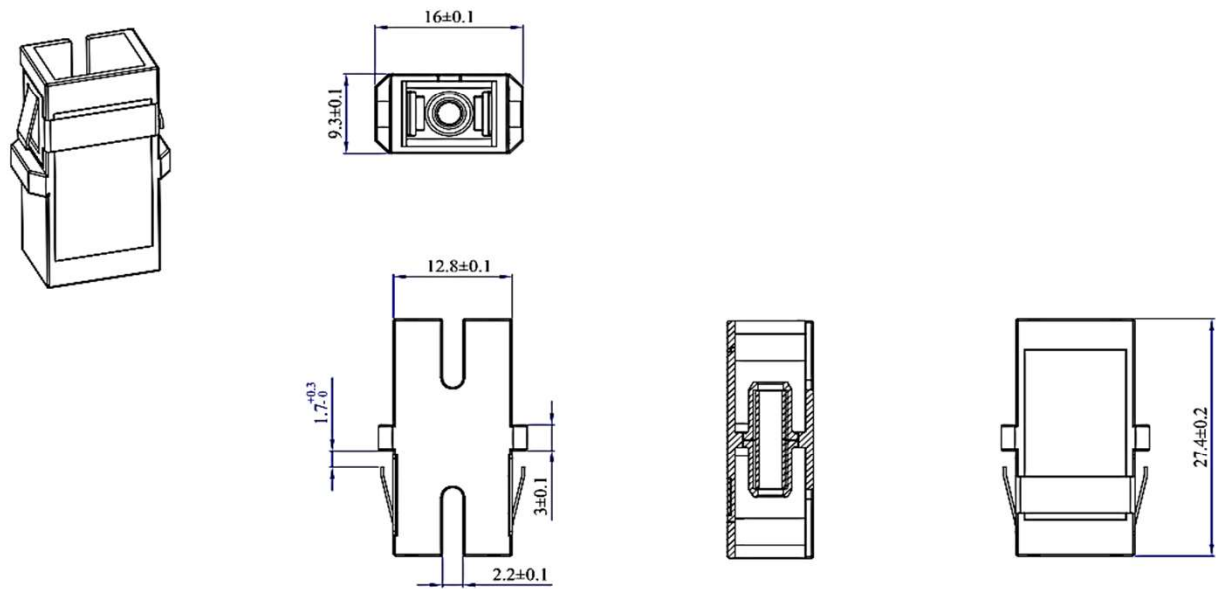


SC simplex adapter with flange and without flange Mechanical Drawing



Unit: mm

SC simplex adapter without flange (One Piece) Mechanical Drawing

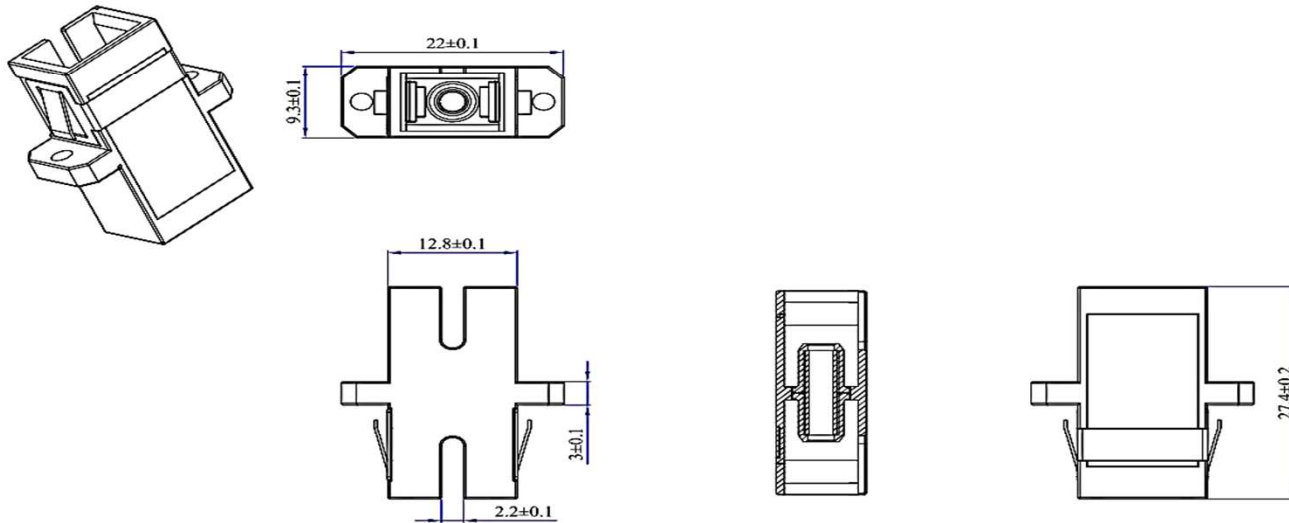


Technical Requirements:

1. Performance index: $IL < 0.2\text{dB}$
2. The dimensions showing on the drawing are just for reference.
3. No dust cap showing on the drawing.
4. The housing color:
 Singlemode-for Angled, APC: Green
 Singlemode, SM: Blue
 Multimode, MM: Beige

Unit: mm

SC simplex adapter with flange (One Piece) Mechanical Drawing



Technical Requirements:

1. Performance index: $IL < 0.2\text{dB}$
2. The dimensions showing on the drawing are just for reference.
3. No dust cap showing on the drawing.
4. The housing color:
Singlemode-for Angled, APC: Green
Singlemode, SM: Blue
Multimode, MM: Beige

Unit: mm