

SC duplex Adapter

Features:

- Selected ceramic sleeve
- Low insertion loss
- High repeatability and high stability
- Multiple styles, One Piece, PC/APC and Various color available
- IEC 61754-4 and GR-326-Core complaint
- RoHS/REACH and UL94-V0 inflammability complaint



Forming method	Flange	Dust cap	Color
 <p>Welded type</p>	 <p>With</p>	 <p>Notched flat cap</p>	<ul style="list-style-type: none"> Green Violet Blue Beige Rose red
 <p>One piece</p>	 <p>Without</p>	 <p>T-shaped gourd cap</p>	

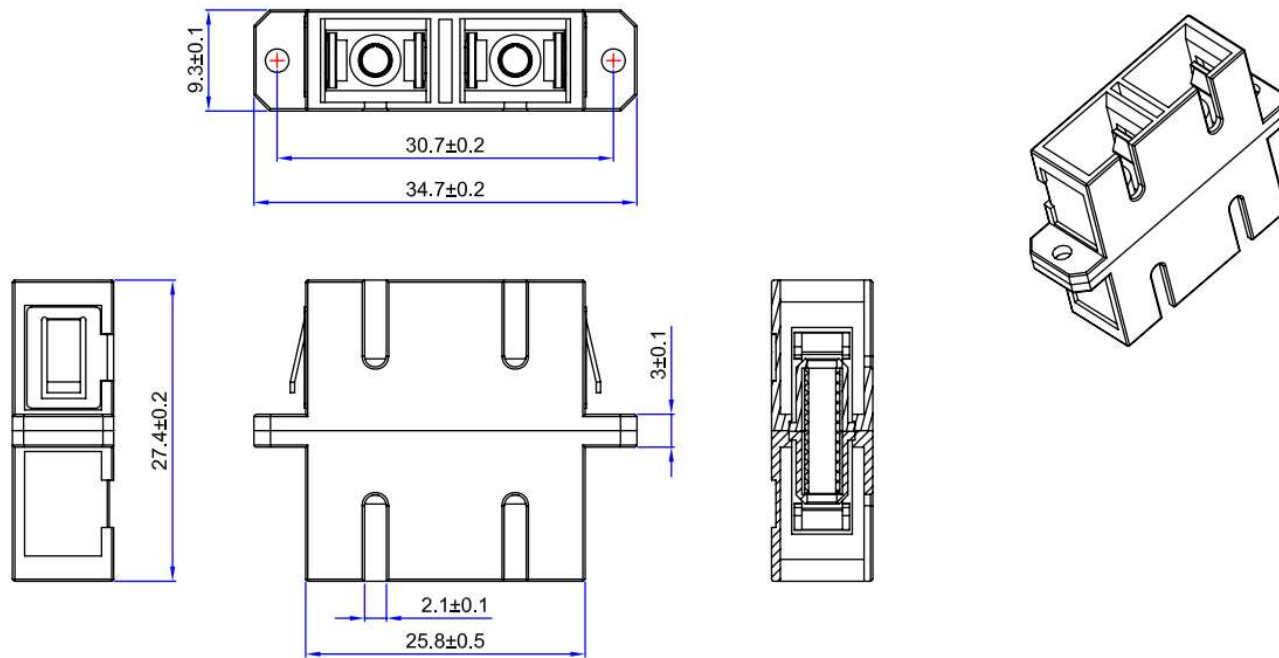
SC duplex Adapter

Specification:

Items	Insertion Loss	Mechanical resistance	Repeatability	Operating Temperature
SM/PC	≤0.2dB	200-600g	< 0.2dB(500times)	-40°C ~ +85°C
SM/APC	≤0.2dB	200-600g	< 0.2dB(500times)	-40°C ~ +85°C
MM/PC	≤0.2dB	200-600g	< 0.2dB(500times)	-40°C ~ +85°C



SC duplex adapter with flange Mechanical Drawing



Unit: mm