

### SC Simplex Connector

#### Features:

- Low Insertion loss;
- High return loss;
- Ease on installation;
- High Quality and Low cost;
- RoHS /REACH and UL94-V0 inflammability grade compliant;
- Available in Multimode and Singlemode , PC/APC , 0.9/2/3 mm;



0.9mm SM

2mm SM

3mm SM

0.9mm MM

2mm SM

3mm MM

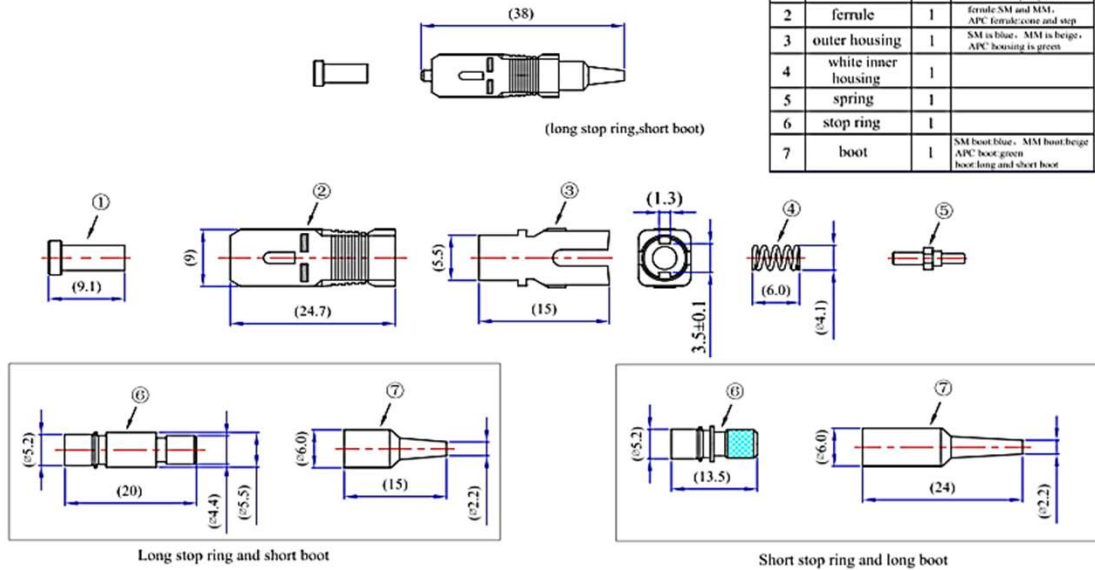
## SC Simplex Connector

### Specification:

Items	Single mode	Multi mode
Insertion Loss	≤0.3dB	≤0.3dB
Return Loss	≥50dB(UPC); ≥60dB(APC)	≥30dB
Ceramic ferrule spec	125.5um concentricity deviations: < 1um	127um concentricity deviations: < 3um
Insert-pull test	500 times < 0.3dB	
Operation temperature	-40°C ~ +85°C	
Suitable fiber	PC/APC(9/125um)	PC(50/125um,62.5/125um)



## 0.9 SC Type Connector Mechanical Drawing

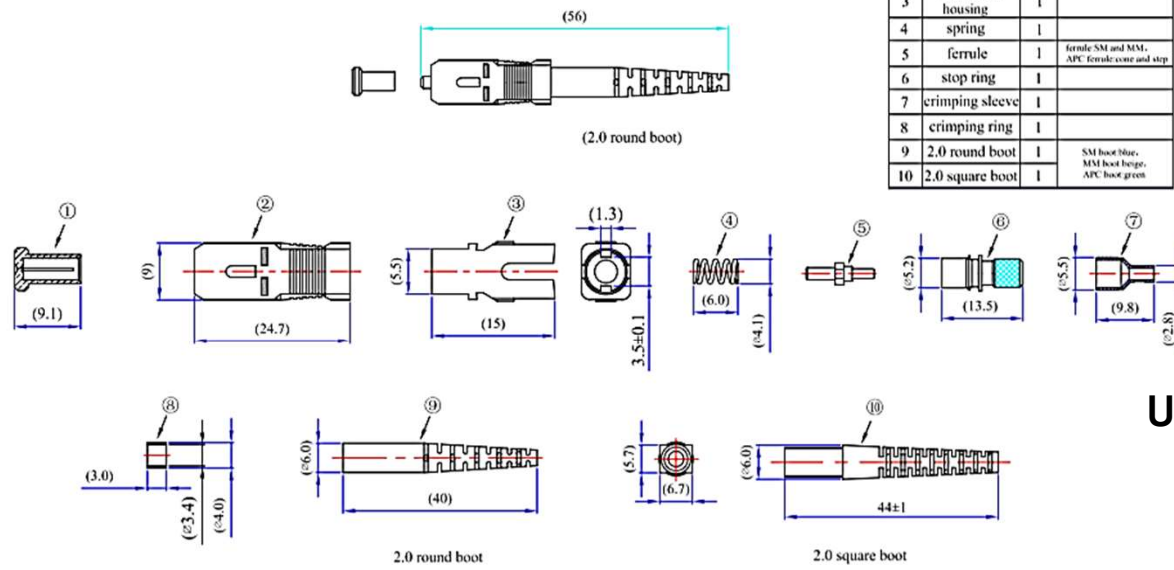


No.	Materia name	Q'ty	note
1	dust cap	1	PC dust cap is transparent; APC dust cap is green.
2	ferrule	1	ferrule SM and MM; APC ferrule cone and step
3	outer housing	1	SM is blue; MM is beige; APC housing is green.
4	white inner housing	1	
5	spring	1	
6	stop ring	1	
7	boot	1	SM boot blue; MM boot beige; APC boot green; boot long and short boot

Unit: mm

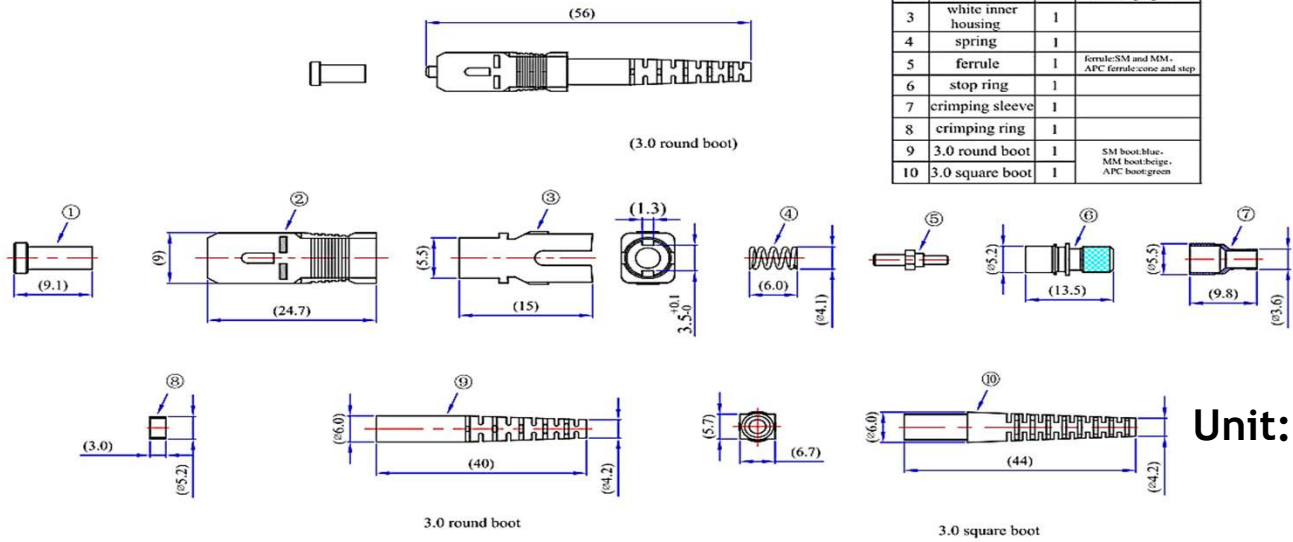
## 2.0 SC Type Connector Mechanical Drawing

No.	Material name	Q'ty	note
1	dust cap	1	PC dust cap is transparent, APC dust cap is green.
2	outer housing	1	SM is black, MM is beige, APC housing is green.
3	white inner housing	1	
4	spring	1	
5	ferrule	1	ferrule SM and MM, APC ferrule cone and stop.
6	stop ring	1	
7	crimping sleeve	1	
8	crimping ring	1	
9	2.0 round boot	1	SM boot blue, MM boot beige, APC boot green.
10	2.0 square boot	1	



Unit: mm

## 3.0 SC Type Connector Mechanical Drawing



No.	Material name	Q'ty	note
1	dust cap	1	PC dust cap is transparent. APC dust cap is green.
2	outer housing	1	SM is blue, MM is beige, APC housing is green.
3	white inner housing	1	
4	spring	1	
5	ferrule	1	ferrule:SM and MM. APC ferrule:coax and step.
6	stop ring	1	
7	crimping sleeve	1	
8	crimping ring	1	
9	3.0 round boot	1	SM boot:blue, MM boot:beige, APC boot:green.
10	3.0 square boot	1	

Unit: mm