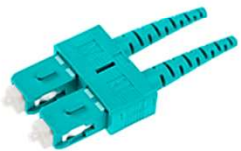


### SC Duplex Connector

#### Features:

- Low Insertion loss;
- High return loss;
- Ease on installation;
- High Quality and Low cost;
- RoHS /REACH and UL94-V0 inflammability grade compliant;
- Available in Multimode and Singlemode , PC/APC , 0.9/2/3 mm;



2.0mm Aqua



2.0mm Beige



2.0mm Violet



3.0mm Green

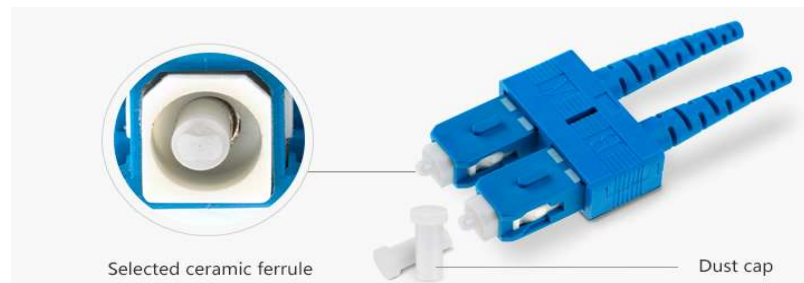


0.9mm Blue

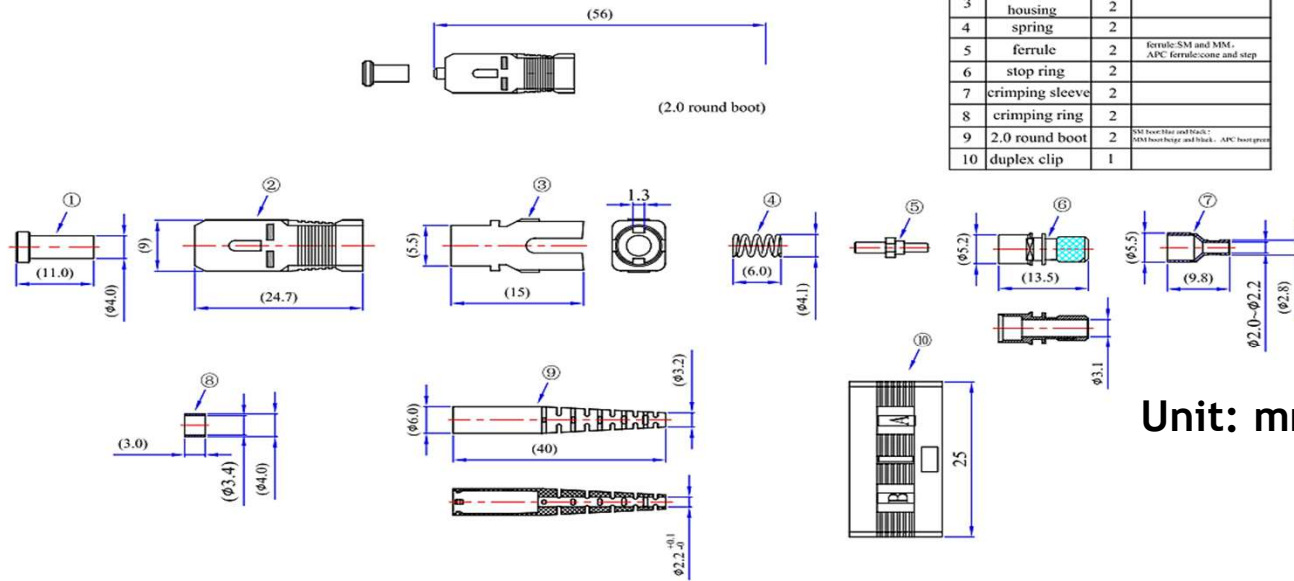
## SC Duplex Connector

### Specification:

Item	SC Duplex Optical Fiber Connector			
	SM		MM	
Mode	SM		MM	
Suitable fiber	9/125um		50/125um,62.5/125um	
Ceramic ferrule spec	125.0~125.5um		126~129um	
Ceramic ferrule concentricity	≤1.0um	≤0.5um	≤0.3um	≤3.0um
Insertion loss	≤0.30dB	≤0.20dB	≤0.15dB	≤0.30dB
Return loss	≥50dB(UPC), ≥60dB(APC)			≥30dB
Insert-pull test	> 500 times, < 0.3dB			
Operating temperature	-40°C ~ +85°C			



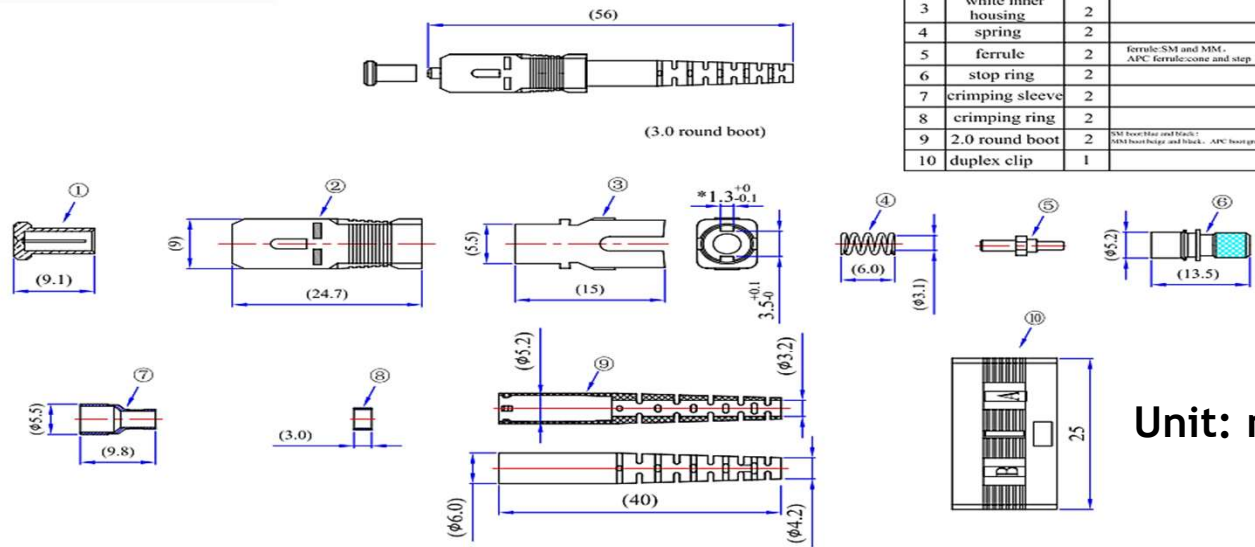
## 2.0 SC Type Connector with duplex clip Mechanical Drawing



No.	Materia name	Q'ty	note
1	dust cap	2	
2	outer housing	2	SM is blue, MM is beige, APC housing is green
3	white inner housing	2	
4	spring	2	
5	ferrule	2	ferrule: SM and MM, APC ferrule: cone and step
6	stop ring	2	
7	crimping sleeve	2	
8	crimping ring	2	
9	2.0 round boot	2	SM boot: blue and black, MM boot: beige and black, APC boot: green
10	duplex clip	1	

Unit: mm

## 3.0 SC Type Connector with duplex clip Mechanical Drawing



No.	Materia name	Q'ty	note
1	dust cap	2	
2	outer housing	2	SM is blue, MM is beige, APC housing is green
3	white inner housing	2	
4	spring	2	
5	ferrule	2	ferrule: SM and MM, APC ferrule: cone and step
6	stop ring	2	
7	crimping sleeve	2	
8	crimping ring	2	
9	2.0 round boot	2	SM: blue; MM and black: APC; APC: beige green
10	duplex clip	1	

Unit: mm