



MPO Series

MPO Connector

Features:

- 12/16/24/32C ribbon and round cable(2.6~3.6mm)
- Push-Pull tab is optional
- Integrated cable termination
- PC/APC and Various available

- Regular and High-Force spring available
- OEM is optional
- IEC 61754-7 and GR-1435 complaint
- RoHS/REACH and UL94-V0 inflammability complaint





MPO Series

MPO Connector

Specification:



Items	Elite Performance				Std Performance	
	SM		MM		SM	MM
Insertion Loss	12F	24F	12F	24F	12F,24F	12F,24F
	≤0.25dB		≤0.35dB		≤0.7dB	≤0.7dB
Return Loss	≥55dB		≥20dB		≥55dB	≥20dB
Operation temperature	-40°C ~ +85°C					
Fiber Type	OS2/OM1/OM2/OM3/OM4					

Items	Elite Performance				Std Performance	
	SM		MM		SM	MM
Insertion Loss	16F	32F	16F	32F	16F,32F	16F,32F
	≤0.35dB		≤0.5dB		≤0.7dB	≤0.7dB
Return Loss	≥55dB		≥20dB		≥55dB	≥20dB
Operation temperature	-40°C ~ +85°C					
Fiber Type	OS2/OM3/OM4/OM5					

MPO Connector

The difference between 12/24F MPO Connector and 16/32F MPO Connector is the place of the key which is in the middle of 12/24F MPO Connector and in the right of 16/32F Connector.



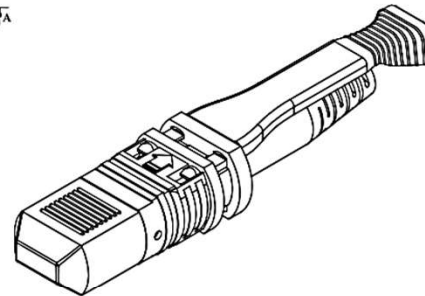
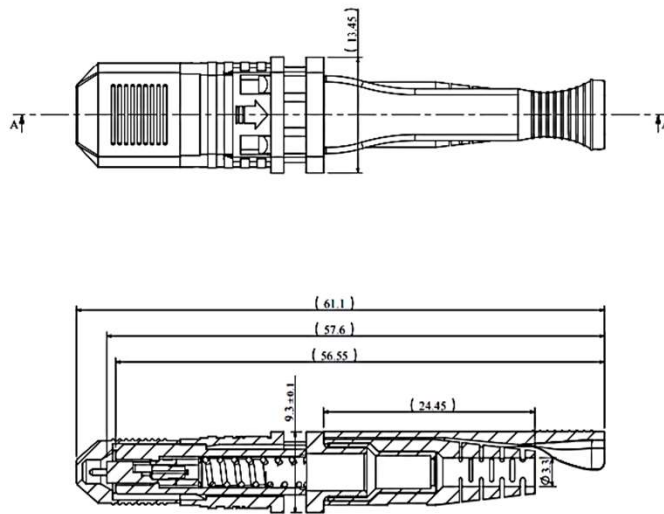
12/24F MPO Connector

16/32F MPO Connector



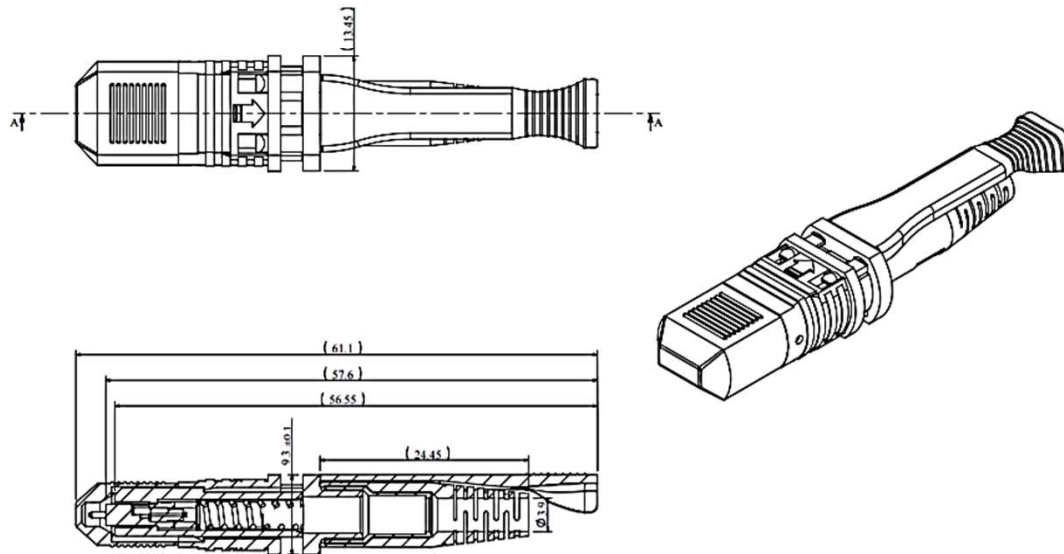
MPO Series

MPO Push-Pull Connector (Round cable 3.0mm) Mechanical Drawing



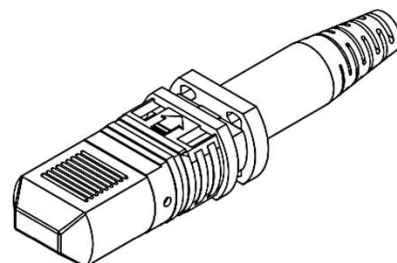
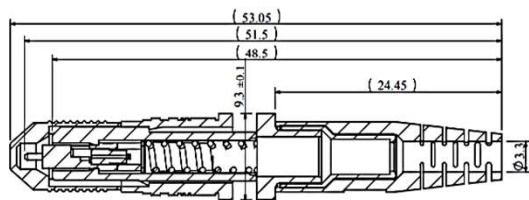
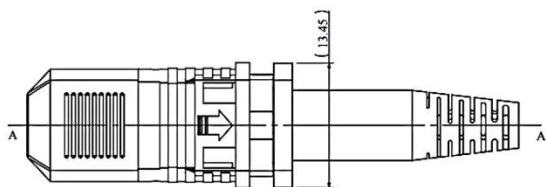
Unit: mm

MPO Push-Pull Connector (Round cable 3.6mm) Mechanical Drawing



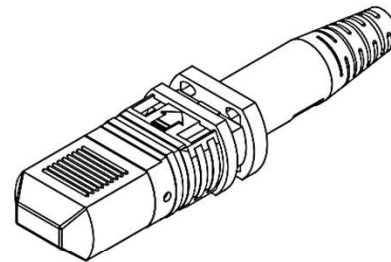
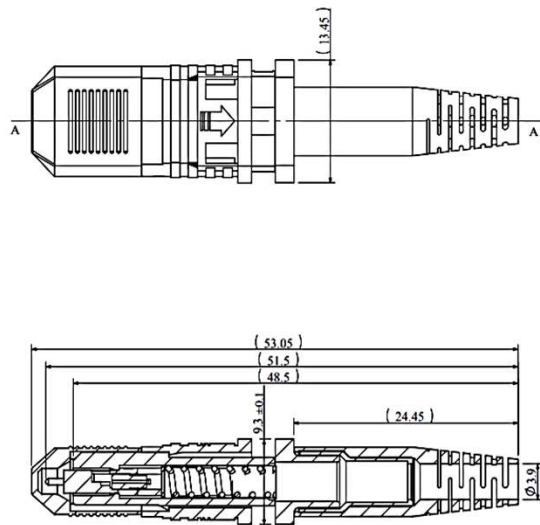
Unit: mm

MPO Connector (Round cable 3.0mm) Mechanical Drawing



Unit: mm

MPO Connector (Round cable 3.6mm) Mechanical Drawing

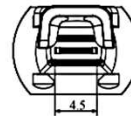
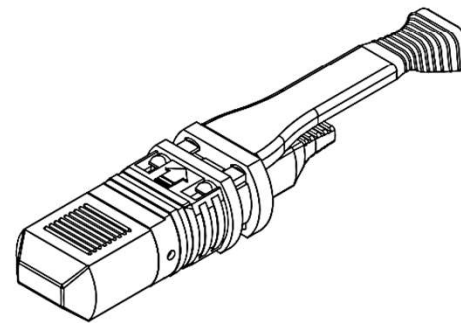
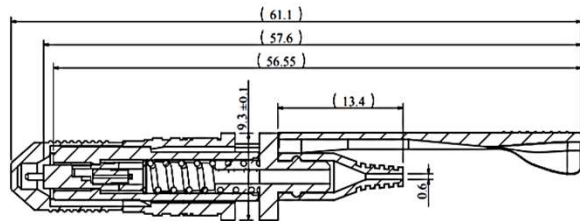
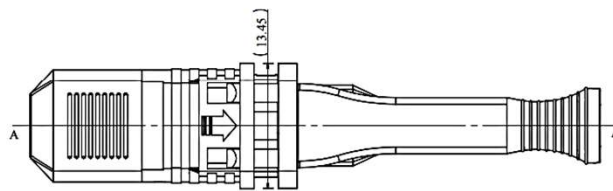


Unit: mm



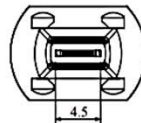
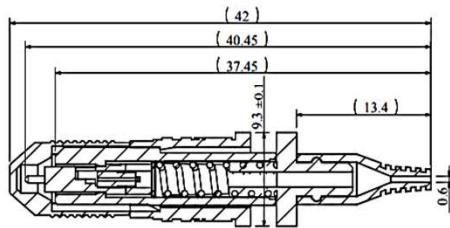
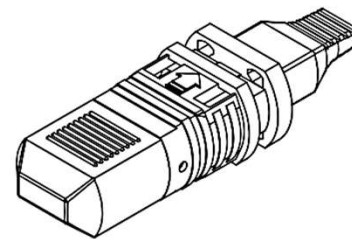
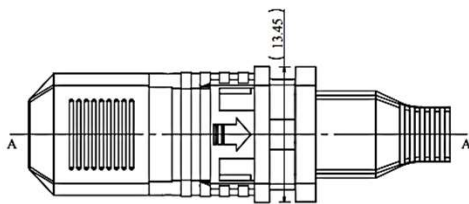
MPO Series

MPO Push-Pull Connector (Ribbon fiber) Mechanical Drawing



Unit: mm

MPO Connector (Ribbon fiber) Mechanical Drawing

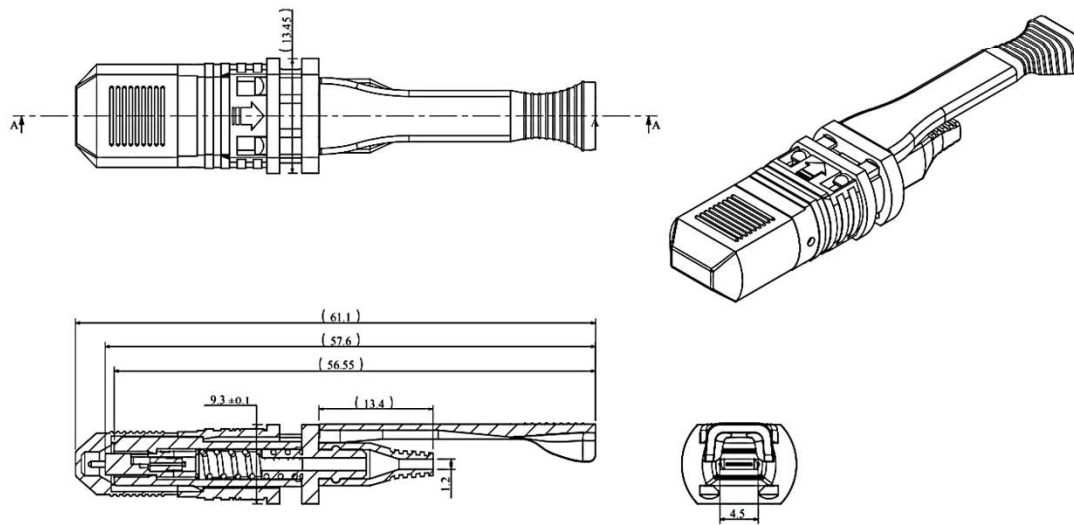


Unit: mm



MPO Series

MPO Push-Pull Connector (12-48C Ribbon fiber) Mechanical Drawing

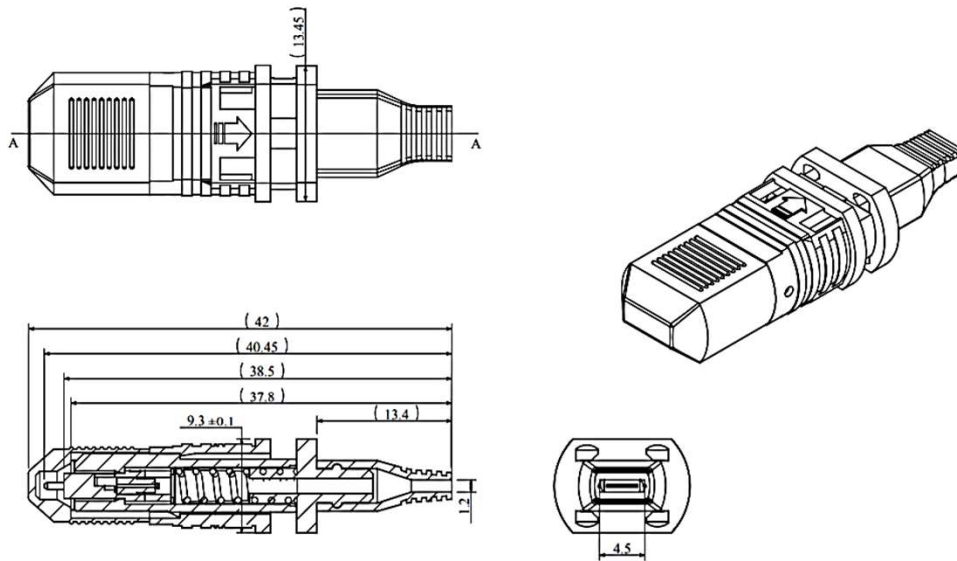


Unit: mm



MPO Series

MPO Connector (12-48C Ribbon fiber) Mechanical Drawing



Unit: mm