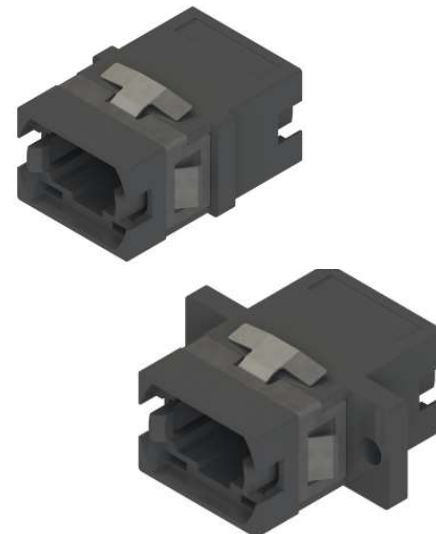


## MPO Adapter

### Features :

- One piece compact SC footprint design
- Key up to Key down and Key up to Key up available
- Flange and flangeless are available
- Spring ensure stable fixture in panel
- Various color available
- OEM is optional
- IEC 61754-7 and GR-1435 complaint
- RoHS/REACH and UL94-V0 inflammability complaint



### Specification:

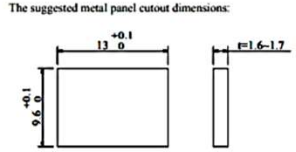
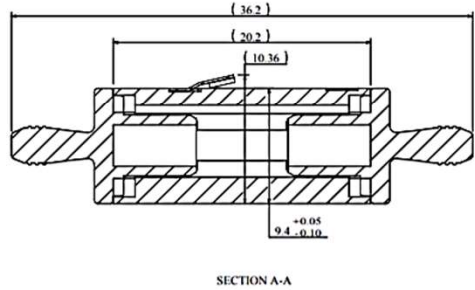
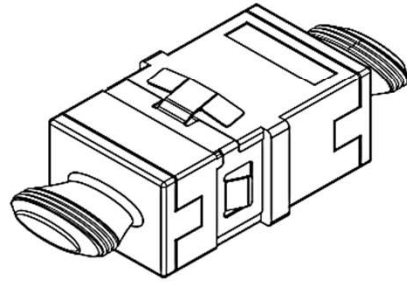
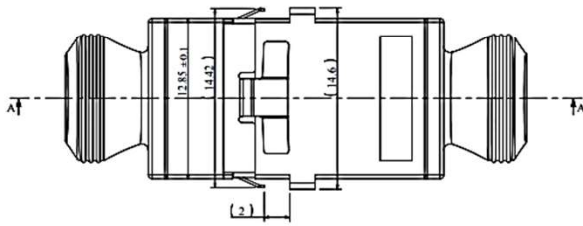
Items	Operating Temperature
SM/PC	-40°C ~ +85°C

## MPO Adapter

### Options:

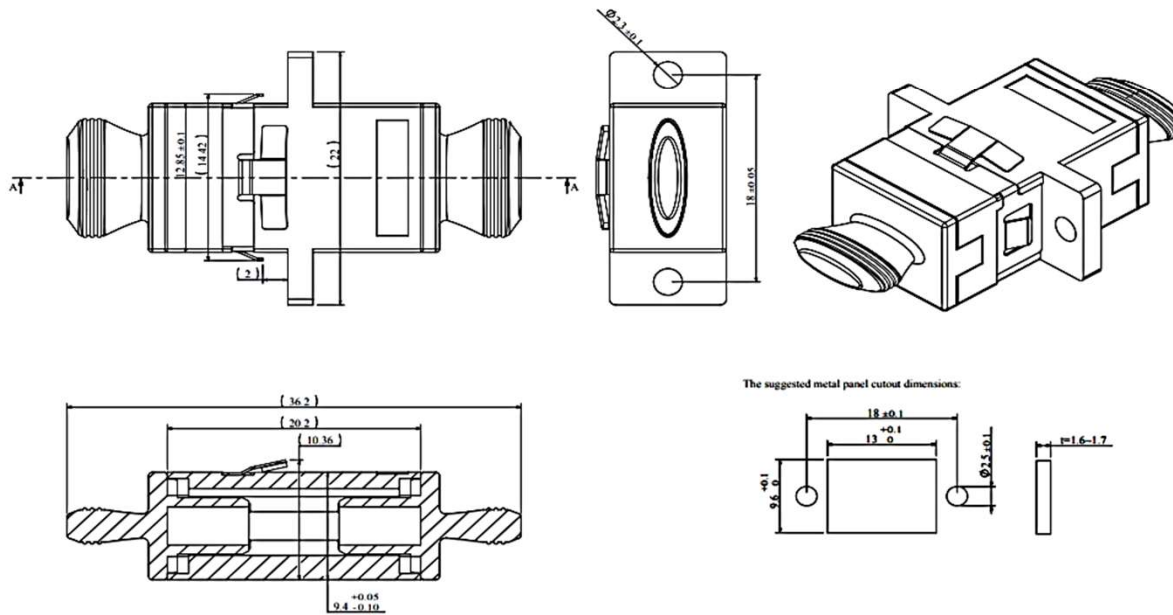
flange	Type	Spring	Key position
 Without flange	 12F	 Metal(Stable)	 key-up to key-down
 With flange	 16F	 Metal(Normal)	 key-up to key-up

MPO adapter NO flange with Stable Spring Mechanical Drawing



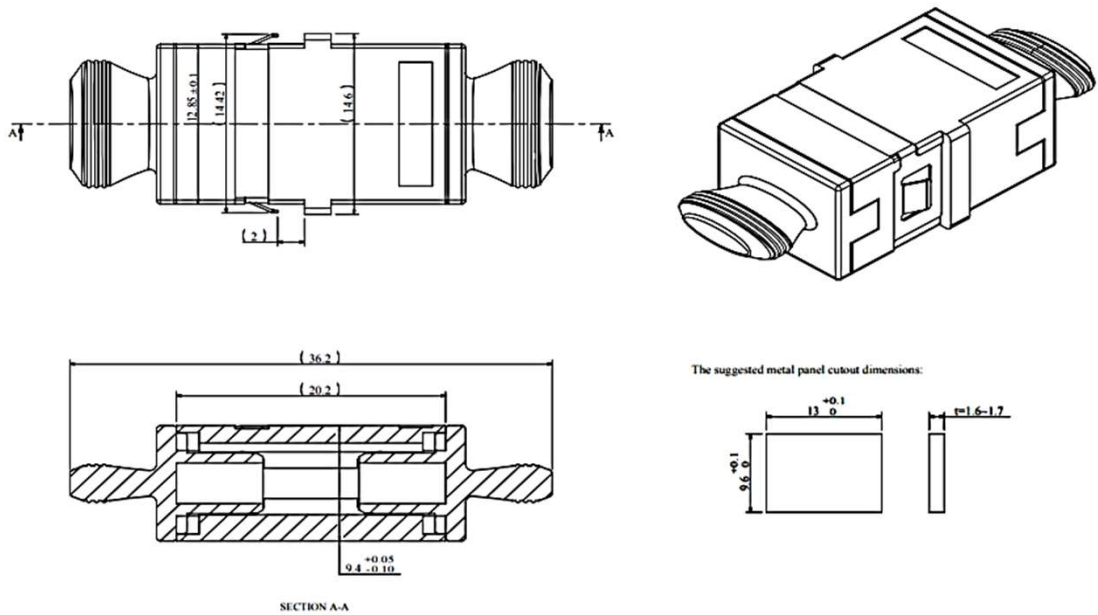
Unit: mm

## MPO adapter With flange and Stable Spring Mechanical Drawing



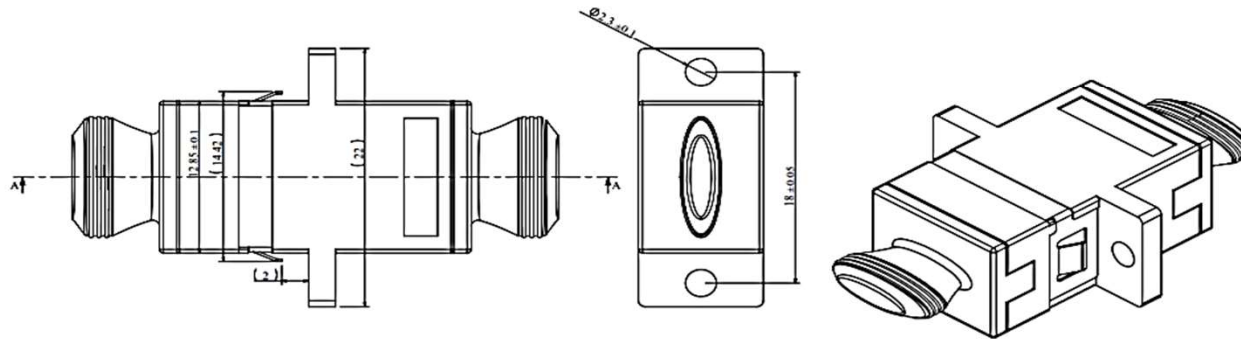
Unit: mm

MPO adapter Without flange Mechanical Drawing

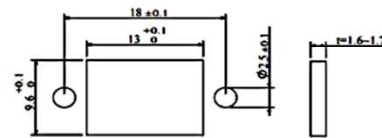
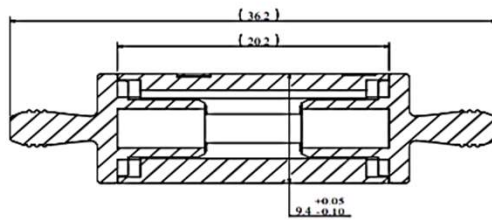


Unit: mm

## MPO adapter With flange Mechanical Drawing



The suggested metal panel cutout dimensions:



Unit: mm