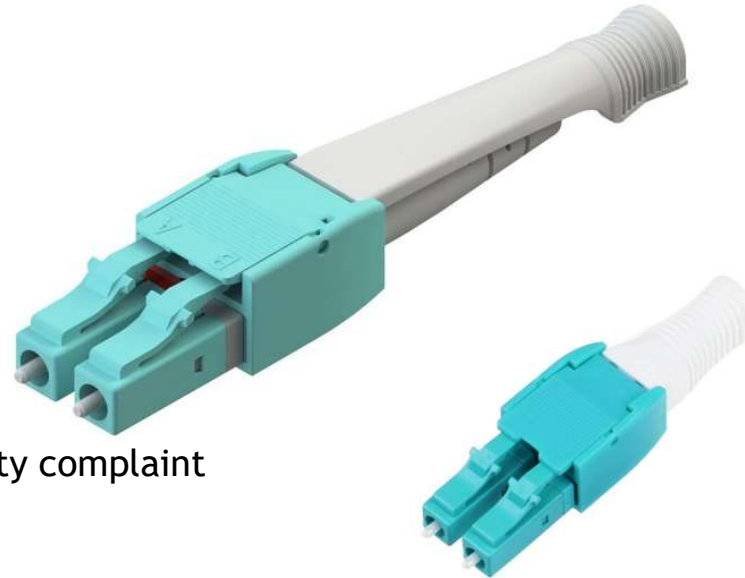


LC Push-Pull Uniboot Connector

Features:

- The push-pull design ensure easier release from HD environment
- Avoid cable twine together
- Easy polarity revisable
- PC/APC and Various color available

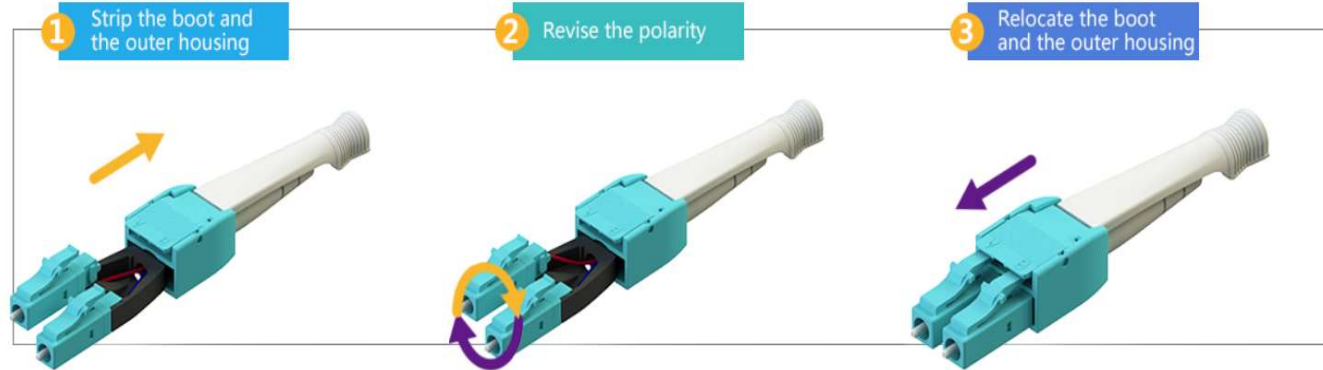
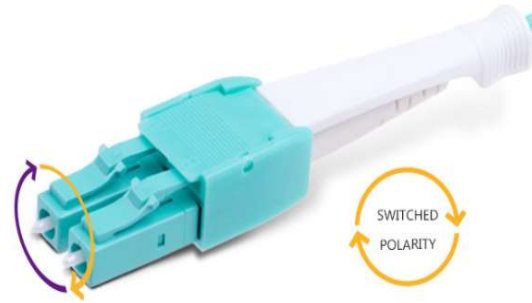
- Applied to 1.2~2.5mm cable
- OEM is optional
- IEC61754-20 and GR-326-Core comp
- RoHS/REACH&UL94-V0 inflammability complaint



LC Push-Pull Uniboot Connector

Easy Polarity Reversible

Allows the fiber polarity to be switched without the need for special tools.





LC Series

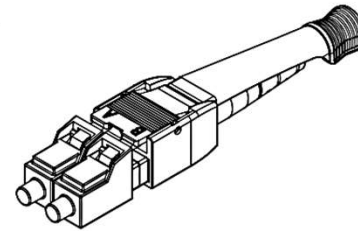
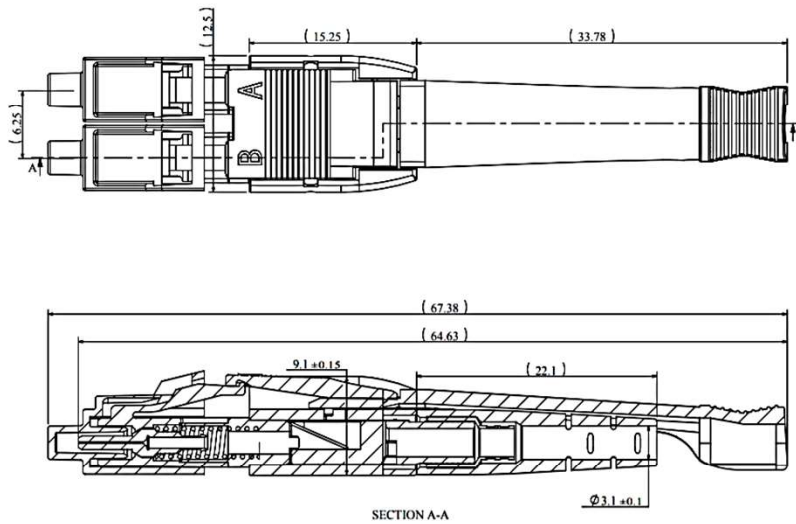
LC Push-Pull Uniboot Connector

Specification:

| Items | Single mode | Multi mode |
|-----------------------|---|---|
| Insertion Loss | standard IL \leq 0.3dB;low IL \leq 0.15dB | standard IL \leq 0.3dB;low IL \leq 0.10dB |
| Return Loss | \geq 55dB(UPC); \geq 65dB(APC) | \geq 30dB |
| Ceramic ferrule spec | 125.5um concentricity deviations: < 1um | 127um concentricity deviations: < 3um |
| Insert-pull test | 500 times < 0.3dB | |
| Operation temperature | -40°C ~ +85°C | |
| Suitable fiber | PC/APC(9/125um) | PC(50/125um,62.5/125um) |



LC Push-Pull Uniboot Mechanical Drawing

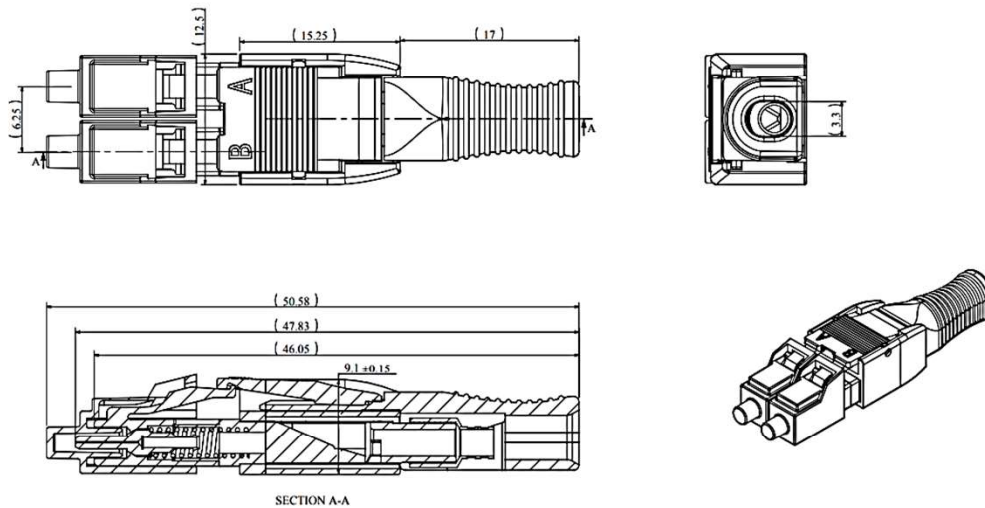


Unit: mm

Remarks:

1. For the PC, the hex ferrule flange should with the dimension of 2.54 ± 0.02 mm
2. For the APC, the hex ferrule flange should with the dimension of 2.72 ± 0.02 mm

LC Push-Pull Uniboot Connector (short tab) Mechanical Drawing



Unit: mm

Remarks:

1. For the PC, the hex ferrule flange should with the dimension of $2.54 \pm 0.02 \text{ mm}$
2. For the APC, the hex ferrule flange should with the dimension of $2.72 \pm 0.02 \text{ mm}$