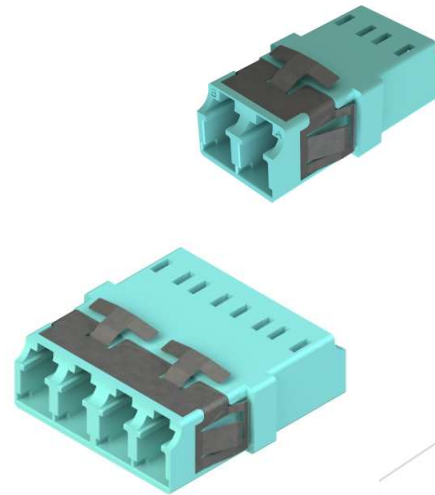


LC One Piece Integrated Adapter

Features:

- Compact one piece structure design, avoid broken happening
- Spring ensures stable fixture in panel
- Duplex and Quad are available
- PC/APC and Various color available
- IEC 61754-20 and GR-326-Core complaint
- RoHS/REACH and UL94-V0 inflammability complaint



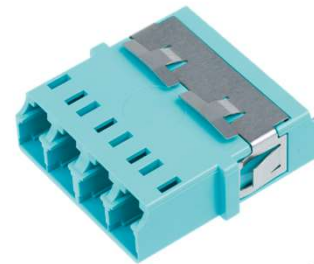


LC Series

LC One Piece Integrated Adapter

Specification:

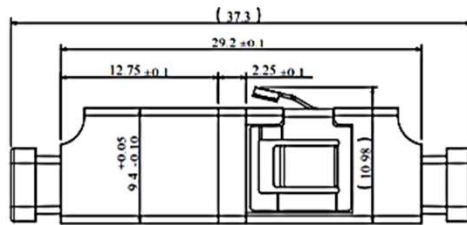
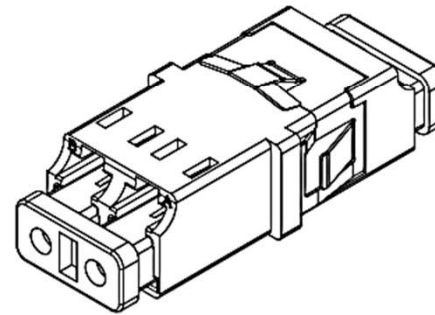
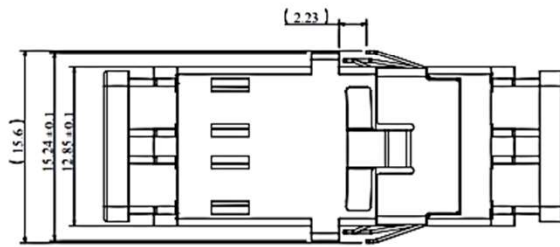
Items	Insertion Loss	Repeatability	Operating Temperature
SM/PC	$\leq 0.2\text{dB}$	$< 0.2\text{dB}(500\text{times})$	$-40^{\circ}\text{C} \sim +85^{\circ}\text{C}$
SM/APC	$\leq 0.2\text{dB}$	$< 0.2\text{dB}(500\text{times})$	$-40^{\circ}\text{C} \sim +85^{\circ}\text{C}$
MM/PC	$\leq 0.2\text{dB}$	$< 0.2\text{dB}(500\text{times})$	$-40^{\circ}\text{C} \sim +85^{\circ}\text{C}$



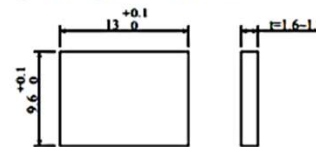


LC Series

LC Duplex One Piece Adapter With Stable Spring Mechanical Drawing

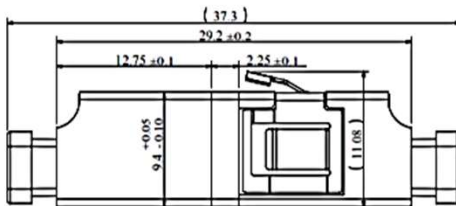
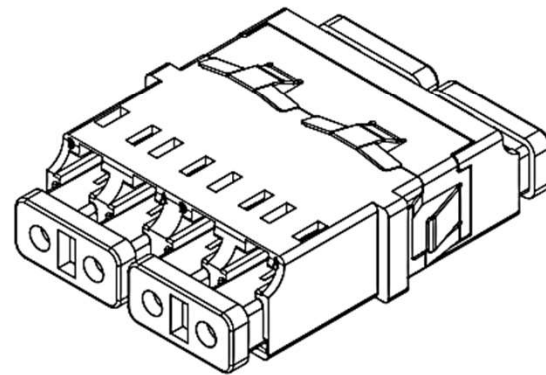
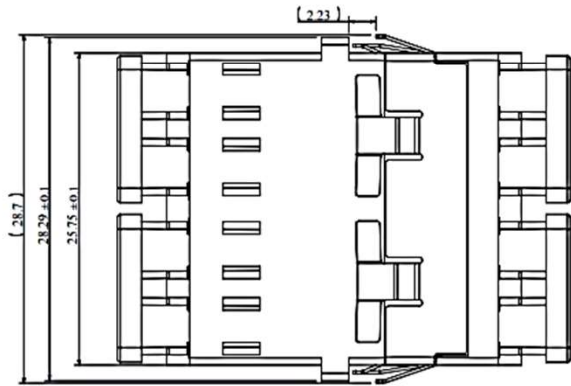


The suggested metal panel cutout dimensions:

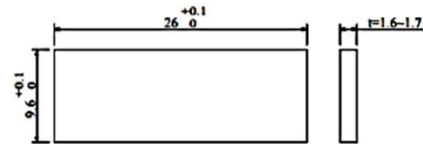


Unit: mm

LC Quad One Piece Adapter With Stable Spring Mechanical Drawing

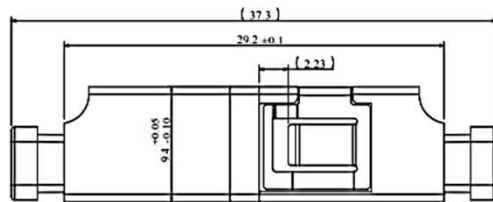
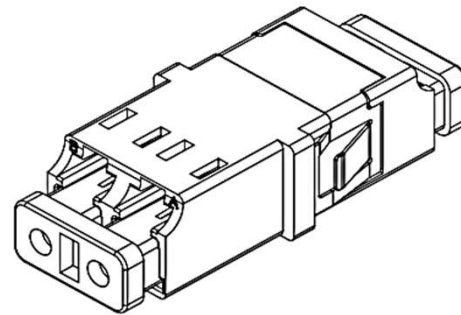
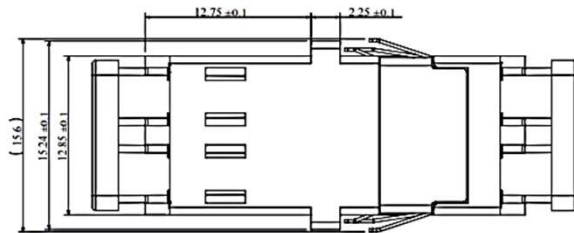


The suggested metal panel cutout dimensions:

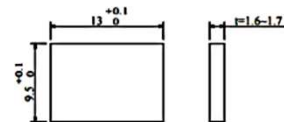


Unit: mm

LC Duplex One Piece Adapter Mechanical Drawing

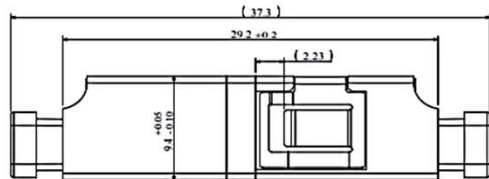
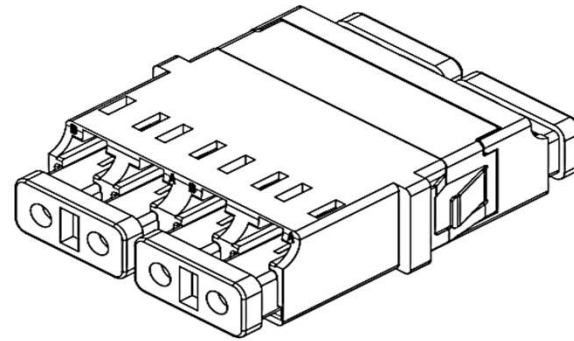
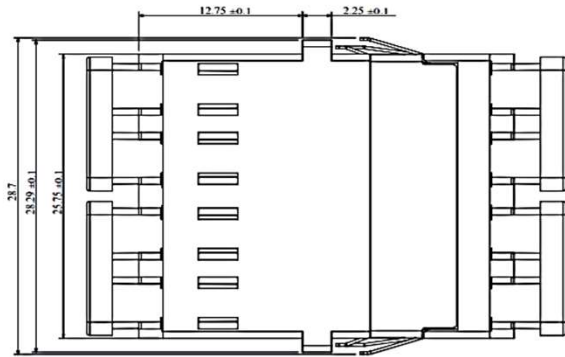


The suggested metal panel cutout dimensions:



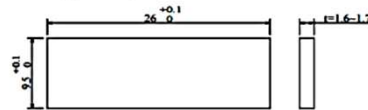
Unit: mm

LC Quad One Piece Adapter Mechanical Drawing



LC Quad One Piece Adapter

The suggested metal panel cutout dimensions:



Unit: mm