



## LC Series

### LC Duplex Connector

#### Features:

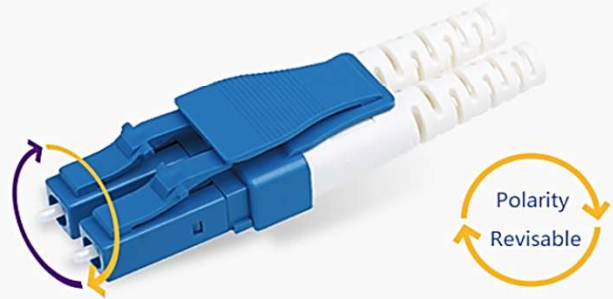
- Extended press latch makes releasing easy
- Compact height not exceed the adapter
- Easy polarity switchable
- PC/APC and Various colors available
- Various boots available
  
- Applied to 0.9/2.0/3.0mm cable
- IEC61754-20 and GR-326-Core complaint
- RoHS/REACH&UL94-V0 inflammability complaint



## LC Duplex Connector

### Polarity Switchable

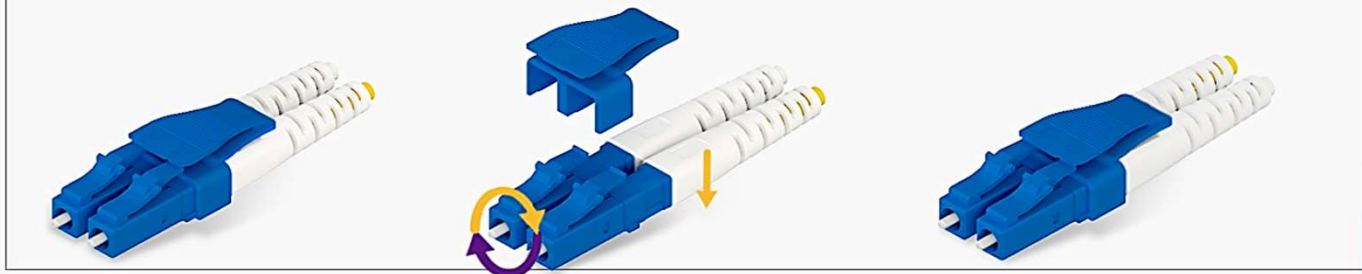
Simply switch the plugs of the two fiber connectors at the same time to achieve a fast and easy polarity change without any tools.



1 locate the connector

2 Take out the clip, exchange the connector

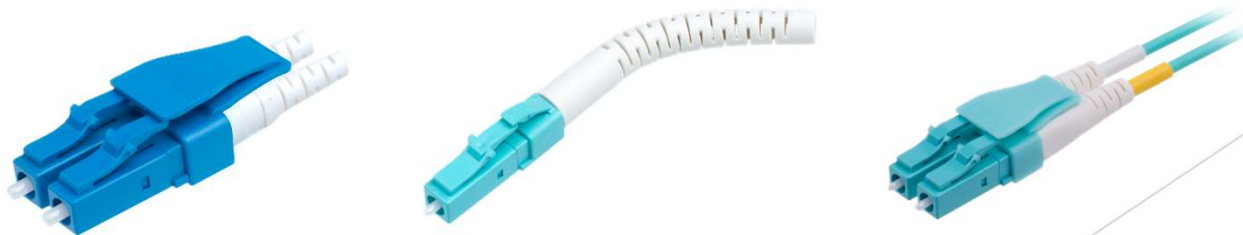
3 Relocate the clip



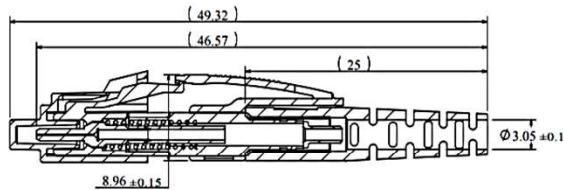
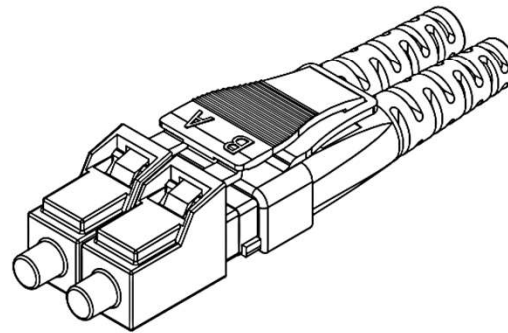
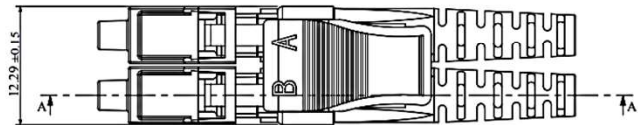
## LC Duplex Connector

### Specification:

Items	Single mode	Multi mode
Insertion Loss	standard IL $\leq$ 0.3dB;low IL $\leq$ 0.15dB	standard IL $\leq$ 0.3dB;low IL $\leq$ 0.10dB
Return Loss	$\geq$ 55dB(UPC); $\geq$ 65dB(APC)	$\geq$ 30dB
Ceramic ferrule spec	125.5um concentricity deviations: < 1um	127um concentricity deviations: < 3um
Insert-pull test	500 times < 0.3dB	
Operation temperature	-40°C ~ +85°C	
Suitable fiber	PC/APC(9/125um)	PC(50/125um,62.5/125um)



## LC Duplex Connector Mechanical Drawing



SECTION A-A

Unit: mm

### Remarks:

1. For the PC, the hex ferrule flange should with the dimension of  $2.54 \pm 0.02 \text{ mm}$
2. For the APC, the hex ferrule flange should with the dimension of  $2.72 \pm 0.02 \text{ mm}$