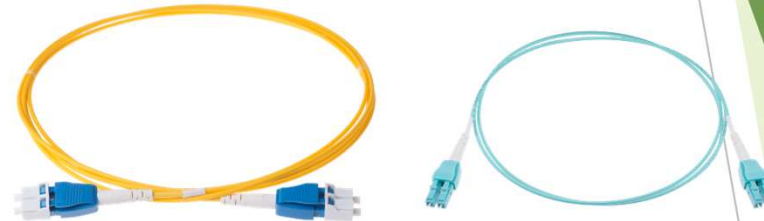


Fiber Optic Patch Cord

Features:

- Low insertion loss
- High repeatability and high stability
- Ease of installation
- Meets GR326 or IEC 61300-2 standards



Specification:

Items	Random Mating according to IEC 61300-3-34						Against Master Connector according to IEC 61300-3-4	
	Grade A		Grade B		Grade C		Average	Max
	Average	Max (97%)	Average	Max (97%)	Average	Max (97%)		
Insertion Loss	≤0.08dB	≤0.15dB	≤0.12dB	≤0.25dB	≤0.25dB	≤0.5dB	≤0.25dB	≤0.30dB
Return Loss	≥50dB(PC), ≥50dB(UPC); ≥60dB(APC)						≥30dB(PC)	
Durability	500times							
Operation temperature	-40℃ ~ +85℃							
Fiber Type	OS1/OS2						OM1/OM2/OM3/OM4/OM5	

SC-SC LSZH / PVC Patch Cord Mechanical Drawing

No.	connector type(for reference)	No.	Cable Length(L)	Length Tolerance(L)
1	LC/PC LC/APC	1	L < 1m	50mm
2	LC/PC LC/APC	2	1 ≤ L ≤ 10m	100mm
3	FC/PC FC/APC	3	10 < L ≤ 30m	150mm
4	ST/PC (shut slot)	4	30 < L < 50m	200mm
5	MU/PC	5	L ≥ 50m	300mm

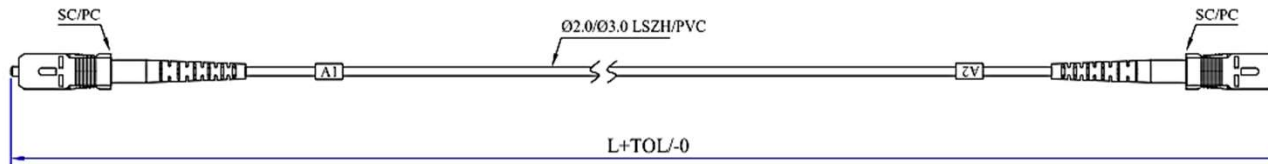
Technical requirement :

1. Performance Index:

Type	Random mating						Against Master Connector	
	Grade A		Grade B		Grade C		Max	Average
	Max(97%)	Average	Max(97%)	Average	Max(97%)	Average		
Insertion Loss (dB)	≤ 0.15	≤ 0.08	≤ 0.25	≤ 0.12	≤ 0.50	≤ 0.25	≤ 0.30	≤ 0.25
Return Loss (dB)	UPC ≥ 50, APC ≥ 60, PC ≥ 50						PC ≥ 30	
Fiber type	OS1, OS2						OM1/OM2/OM3/OM4/OM5	

- 2. A1, A2 are mark rings.
- 3. Dust cap do not showing on the drawing.

SC/PC-SC/PC Ø2.0/Ø3.0 LSZH/PVC Patch cord



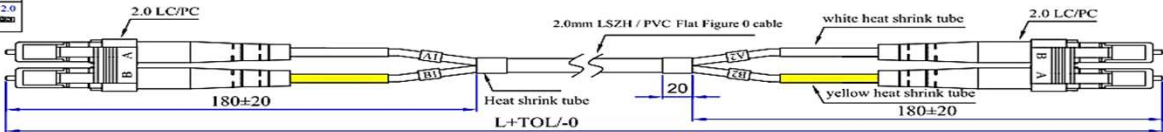
Unit: mm

2.0 / 3.0mm Duplex Patch Cord Mechanical Drawing

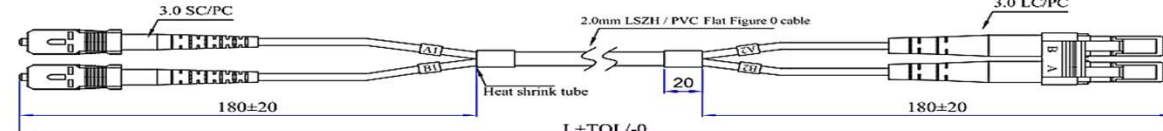
No.	connector type(for reference)
1	SC/APC SC/PC
2	LC/PC LC/APC
3	FC/PC FC/APC
4	ST/PC (shot slot)
5	MU/PC

No.	Cable Length(L)	Length Tolerance(L)
1	$L < 1m$	50mm
2	$1 \leq L \leq 10m$	100mm
3	$10 < L \leq 30m$	150mm
4	$30 < L \leq 50m$	200mm
5	$L \geq 50m$	300mm

For instance: LC/PC-LC/PC 2.0mm duplex patch cord



For instance: SC/PC-LC/PC 3.0mm duplex patch cord



Technical requirement:

1. Performance Index:

Type	Random mating						Against Master Connector	
	Grade A		Grade B		Grade C		Max	Average
Insertion Loss (dB)	≤0.15	≤0.08	≤0.25	≤0.12	≤0.50	≤0.25	≤0.30	≤0.25
Return Loss (dB)	UPCa50,APCa60,PCa50						PCa30	
Fiber type	OS1/OS2						OM1/OM2/OM3/OM4/OM5	

2. A1、A2、B1、B2 are mark rings.

3. Dust cap do not showing on the drawing.

Unit: mm