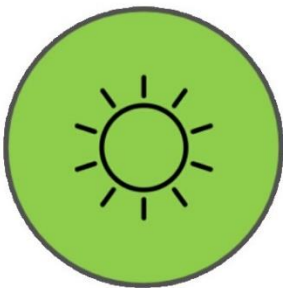


150W/300W UVC Heavy Duty Disinfection Lamp



Product Instruction

UV disinfection lamp is suitable for sterilize, disinfection, remove mites, air purification and formaldehyde removal in 1076 Sq² (150W) / 2150 Sq² (300W) space.

It mainly acts on the DNA of microorganisms, destroying the structure of DNA, making it lose the function of reproduction and self-replication.

Ultraviolet bactericidal lamps are used to kill bacterial propagules, spores, mycobacteria, corona viruses, fungi, rickettsia and chlamydia, etc. UV germicidal lamps can be used on the surface, water and air of anti-contaminated objects disinfection. Disinfection rate can reach 99.9%.

150W	The Space Area	439 Sq ²	778 Sq ²	1076 Sq ²
	Recommended Sterilization Duration	15 Minutes	30 Minutes	60 Minutes
300W	The Space Area	621 Sq ²	1241 Sq ²	2150 Sq ²
	Recommended Sterilization Duration	15 Minutes	30 Minutes	60 Minutes

Product Specification

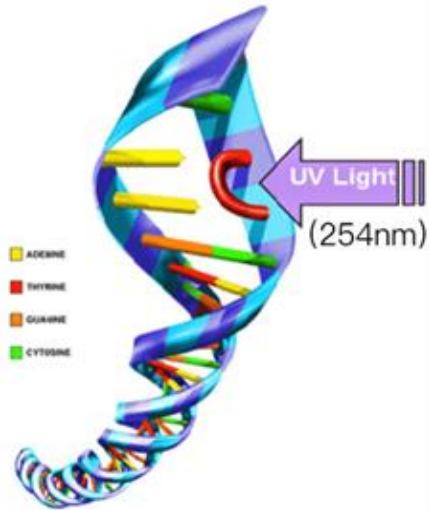
Product	UV Disinfection Lamp - 150/300W
Voltage	110V
Power	150W / 300W
Coverage Area	1076 / 2150 Sq ²
Wavelength	UV-C 254nm
Coverage Angle	Full 360°
Switch Control Timer	Disinfection 6 Level 10 - 60 Mins
Remote Control Timer	Disinfection 3 Level 15 / 30 / 60 Mins
Size:	9.25"x 7.87"x30.31"
Safety Delay Switch	15 Second
Control Type	Wireless Remote

Photochemical Destruction of DNA

Normal DNA Structure



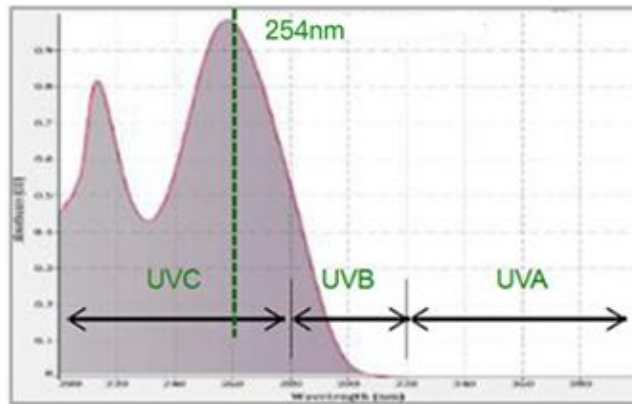
Transformed DNA Structure



DNA Structure Transformation

Intercept Propagation

< DNA Absorbance >



Test Time (min)	No.	Test group		Killing Rate K_t (%)
		Original Bacteria Count V (cfu/m ³)	Bacteria Count after Treatment V (cfu/m ³)	
40	1	9.16×10^4	<7	>99.99
	2	8.68×10^4	<7	>99.99
	3	9.10×10^4	<7	>99.99

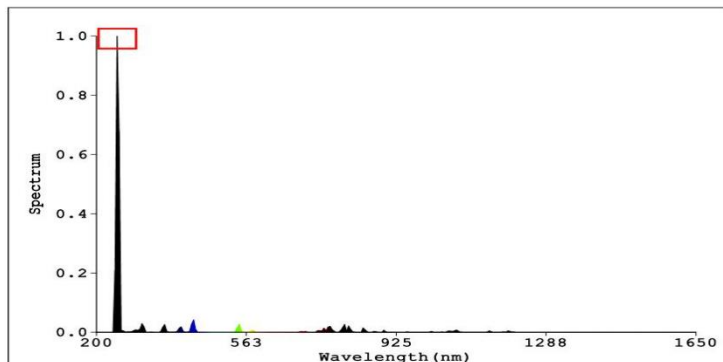
Laboratory Certification



Radiation Photobiological Safety Report

Model : LX-UVCDL150
 Number : PDG200715001-1K
 Manufacturer: Luxglo
 Tester : Will Wang
 Date : 2020-07-15

Instrument : OST-300(EVERFINE)
 Temperature : 26.4deg
 RH : 27%
 Remarks : IEC 62471:2006
 B(L) & R(L)



LB RFOV (mrad)	Measured (W/m2/sr)	Limit (W/m2/sr)
100(Exempt Risk Group)	5.553e0	1.000e2
11(Risk Group 1)	1.038e1	1.000e4
1.7(Risk Group 2)	1.049e1	4.000e6
LR RFOV (mrad)	Measured (W/m2/sr)	Limit (W/m2/sr)
11(Exempt Risk Group)	1.205e2	2.800e5
11(Risk Group 1)	1.205e2	2.800e5
1.7(Risk Group 2)	1.218e2	7.100e5

Color Parameters:

Chromaticity Coordinate: $x=0.2273$ $y=0.2499$ $u'=0.1640$ $v'=0.4057$ $Tc=91440K$
 Dominant WL: $Ld=480.7nm$ **Peak WL: $Lp=250.0nm$** Purity=43.3% Red Ratio: $R=0.8\%$
 Render Index: $Ra=13.1$ FWHM=9.5nm

R1 =5 R2 =15 R3 =-7 R4 =9 R5 =23 R6 =6 R7 =35
 R8 =18 R9 =-250 R10=-119 R11=1 R12=-15 R13=2 R14=34 R15=2

Photo Parameters(CX Condition:Muti Test):

Distance = 200.0mm
 Alpha = 0.1000rad
 E = 341.4lx UV Ratio = 45381.1 mW/m2/klx
 Es = 6.646e0 W/m2 * Tmax_Es = 5s
 Eb = 7.261e-1 W/m2 Tmax is not needed
 Euva = 6.005e-1 W/m2 Tmax_Euva > 1000s
 Eir = 1.495e1 W/m2 Tmax_Eir > 1000s
 Eh = 1.777e1 W/m2 Tmax_Eh > 10s
 LB(1.7mrad) = 1.049e1 W/m2/Sr Tmax_LB > 10000s
 LR(1.7mrad) = 1.218e2 W/m2/sr Tmax_LR > 10s
 Lir = 2.431e0 W/m2/Sr (Tmax is not needed)

Result:

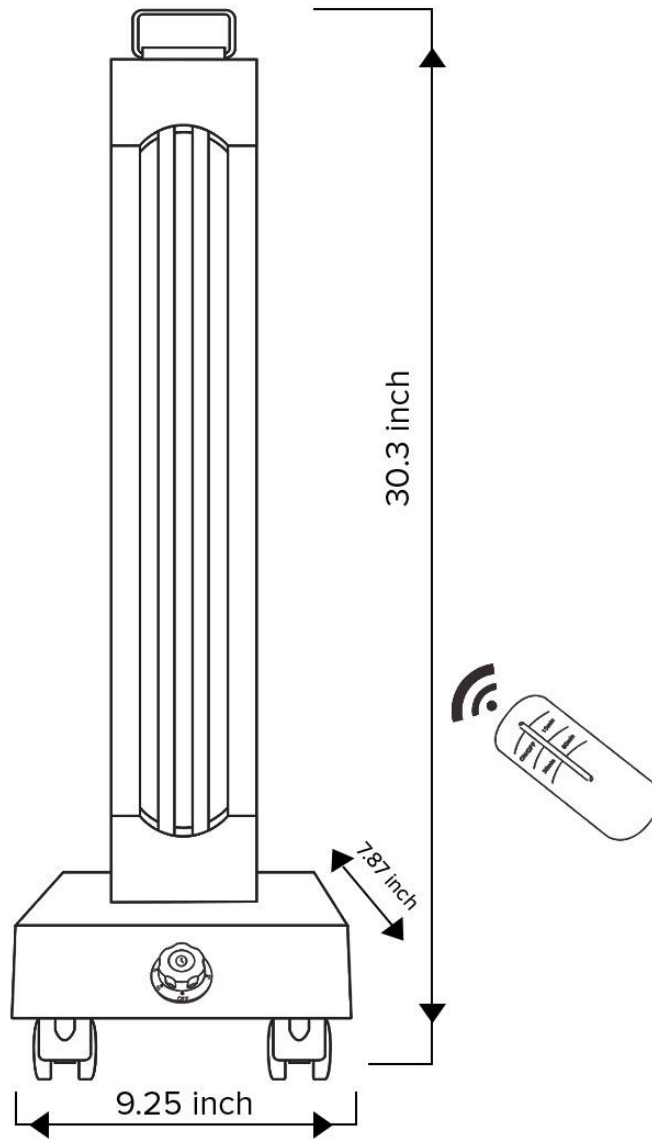
Lamp Type: Risk Group 3



Additional Parameters:

Euva Euva: 718.62 mW/m2
 Euvb Euvb: 639.05 mW/m2
 Eucv Eucv: 14305 mW/m2
 Euva_eff Euva_eff: 0.47114 mW/m2
 Euvb_eff Euvb_eff: 115.21 mW/m2
 Eucv_eff Eucv_eff: 6544.7 mW/m2

150W / 300W UVC Lamp Size



CE FC ✓ RoHS

Remote Access



Certificate

CERTIFICATE of Conformity

Reference No. : LCS20044
 Applicant : ZHONGSHAN
 Address : No.19, KangLong
Guangdong
 Trade Mark : HELLOAI
 Product : UV Disinfection Lamp
 Model(s) : AR-UV-DL
DL-05, AR-UV-DL

Parameters : 100-240V-
 The submitted products have been tested and found to be in compliance with the following EU Directives:

The LVD Directive 2014/35/EU
 EN 60335-1: 2012+A11: 2014
 EN 62471:2008;
 EN 62233: 2008

The tests were performed in our laboratory on a particular sample tested and to the specific sample investigated.

The CE markings as shown below necessary technical documents.

Other relevant Directives have to be checked.



Date of issue: April 14, 2020

Guangzhou LCS Compliance Testing Laboratory
 No. 44-1, Qianfeng North Road, Shui, Panyu
 Tel: (86)20-29188889 Fax: (86)20-29188890
 Http://www.lcs-cert.com Email: webmaster@lcs-cert.com

CERTIFICATE of Conformity

Reference No. : LCS20044
 Applicant : ZHONGSHAN
 Address : No.19, KangLong
China
 Trademark : HELLOAI
 Product : UV Disinfection Lamp
 Model(s) : AR-UV-DL
AR-UV-DL
AR-UV-DL

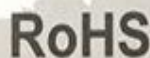
The submitted products have been tested and found to be in compliance with the following EU Directives:

The RoHS Directive 2011/65/EU
 IEC 62321-3-1:2013 IEC 62321-4:2015 IEC 62321-4:2015 IEC 62321-4:2015

The tests were performed in our laboratory on a particular sample tested and to the specific sample investigated in our test.

The RoHS markings as shown below necessary technical documents.

Other relevant Directives have to be checked.



Date of issue: April 15, 2020

Zhongshan LCS Compliance Testing Laboratory
 No. 21/F, Building A, Zhongshan Harbor
 Tech Development Zhongshan, Guang
 Tel: (86) 0755-81262596 Fax: (86) 0755-81262597
 Http://www.lcs-cert.com Email: webmaster@lcs-cert.com

SHENZHEN LCS COMPLIANCE TESTING LABORATORY LTD.

Report No.: LCS200401177AE

FCC Part 15, Subpart B, Class B(sDoC)

TEST REPORT

ZHONGSHAN AIER LIGHTING TECHNOLOGY CO., LTD

UV Disinfection Lamp

Test Model: AR-UV-DL-01

Additional Model No.: Please Refer To Page 7

Prepared for : ZHONGSHAN AIER LIGHTING TECHNOLOGY CO., LTD
 Address : No.19, KangLong Second Street, HengLan, ZhongShan, Guangdong, China

Prepared by : Shenzhen LCS Compliance Testing Laboratory Ltd.
 Address : Room 101, 201, Building A and Room 301, Building C, Juji Industrial Park, Yabianxueziwei, Shajing Street, Bao'an District, Shenzhen, Guangdong, China

Tel : (+86)755-82591330
 Fax : (+86)755-82591332
 Web : www.LCS-cert.com
 Mail : webmaster@LCS-cert.com

Date of receipt of test sample : April 14, 2020
 Number of tested samples : 1
 Serial number : Prototype
 Date of Test : April 14, 2020 ~ April 22, 2020
 Date of Report : April 23, 2020



This report shall not be reproduced except in full, without the written approval of Shenzhen LCS Compliance Testing Laboratory Ltd.

Page 1 of 18

UVC Lamp Operation

1. Plug the power plug into the socket.
2. Turn on the time panel, the lamp will automatically light up after 15seconds and start to work. You can also use the remote control to turn the lights on and off.
3. If you choose the wireless timer mode, select the disinfection time on the remote control and press the “Timer 15 minutes” “Timer 30 minutes” or “Timer 60 minutes” key to enter the timer mode. The lamp will automatically light up after 15 seconds.
4. People and animals must leave the disinfection space during disinfection to avoid discomfort
5. After the disinfection is completed according to the selected time, the UV lamp will automatically turn off and return to the shutdown state.

CAUTION

1. Don't look directly at the ultraviolet light source. It should be used without people, pets or plants. Ultraviolet radiation may cause skin erythematic, conjunctiva irritation and fatigue.
2. Long-term exposure to ultraviolet rays will burn people's skin and eyes, and long-term inhalation of ozone will harm people. For disinfection, doors and windows must be closed, people and animals must leave.
3. Radar is an auxiliary detection method in human detection. The detection effect will be different due to the placement position and the surrounding environment. Please pay attention to protect from ultraviolet rays.



Application

Kindergarten / School / Bedroom / Restaurant / Hospital / Farms, ect



SAFETY DESIGN



QUARTZ TUBE
HIGH TRANSMITTANCE



LEAKAGE PROTECTION



REMOTE CONTROL
THROUGH THE WALL



STABLE PERFORMANCE



15S DELAY START